

Measuring Guide Wings



Date:

Company:

First Name:

Last Name:

Phone:

Email:

If you are inquiring on behalf of a client or third party who will be paying for and receiving the order, please complete the following information with the client/third party details.

Billing Information

Bill to Company/Full Name:

Address:

Suburb:

State:

Post Code:

Phone:

Email:

Delivery Information

Same as Billing Information

Deliver to Company/Full Name:

Address:

Suburb:

State:

Post Code:

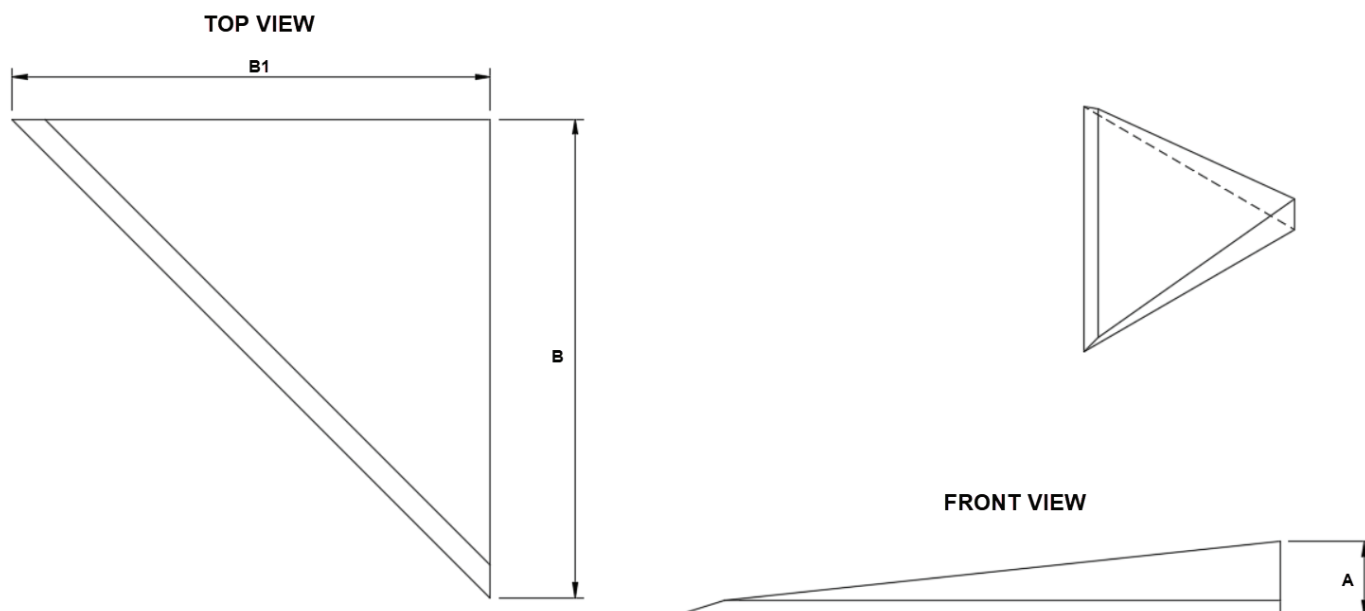
Phone:

Email:

Additional Information

This form must be completed and submitted with page 2 and 3

Measuring Guide Wing Standard



Wing Height (A)

Same height as
ramp

Wing Length (B)

Same length as
ramp

Wing Width (C)

Measured left
to right

Wing Measurements

All measurements to be in millimetres

If you require wings at a height of 30mm or under, this will be an awing product.

Wing 1

Wing:

A (Height) =

B (Length) =

C (Width) =

Wing 2

Wing:

A (Height) =

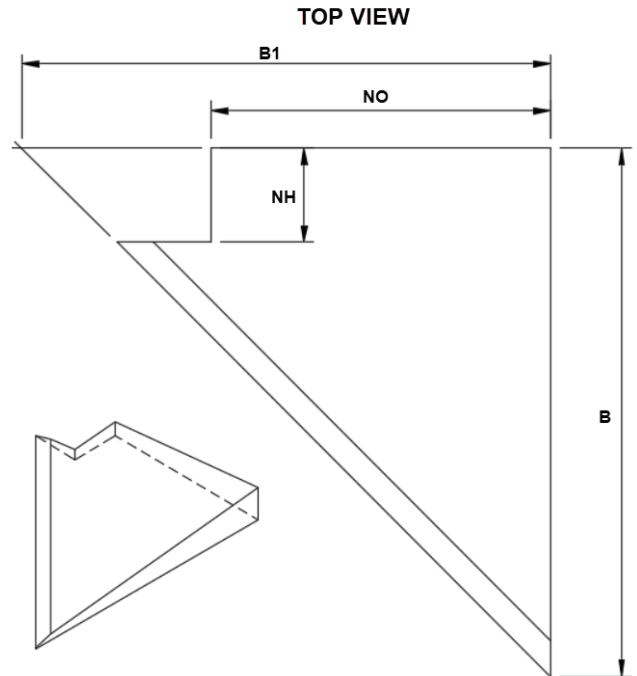
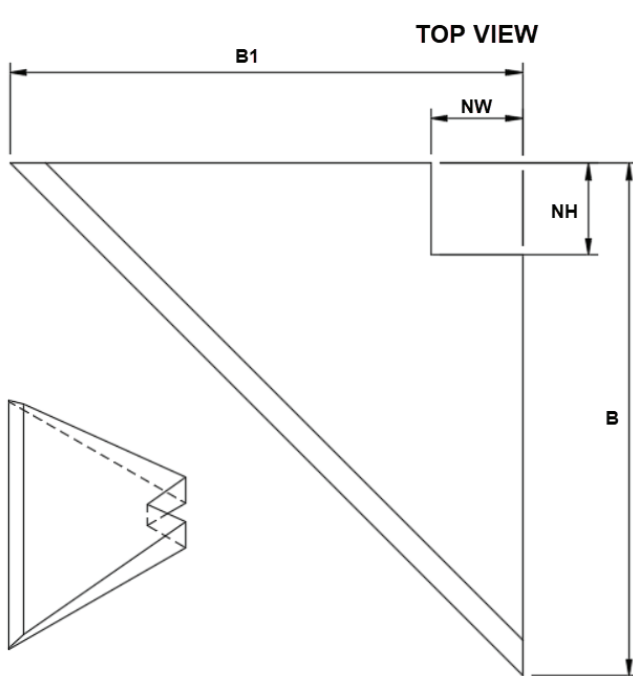
B (Length) =

C (Width) =

This form must be completed and submitted with page 1

Measuring Guide

Wing Notched



Notch Height (NH)

Notch Length

Notch Width (NW)

Notch Width

Notch Offset (NO)

Offset Width

Wing Measurements

All measurements to be in millimetres

Wing 1

Wing:

A (Height) =

B (Length) =

C (Width) =

NH =

NW (Notch Width)=

or NO(Offset Width)=

Wing 2

Wing:

A (Height) =

B (Length) =

C (Width) =

NH (Notch Length)=

NW (Notch Width)=

or NO(Offset Width)=

This form must be completed and submitted with page 1